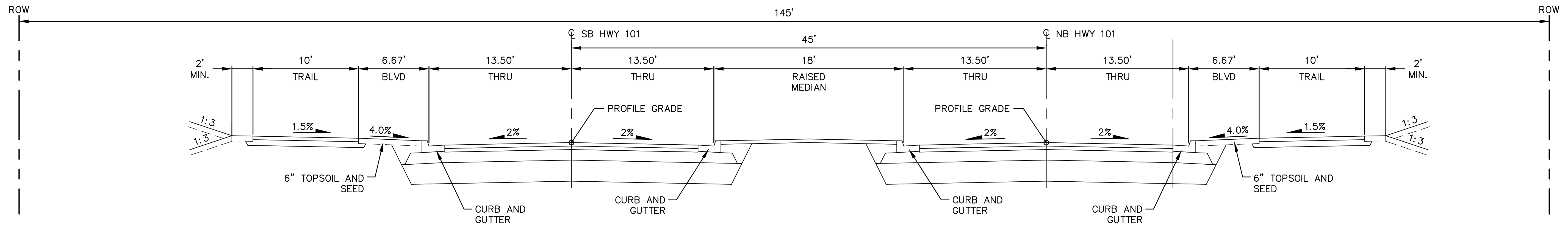
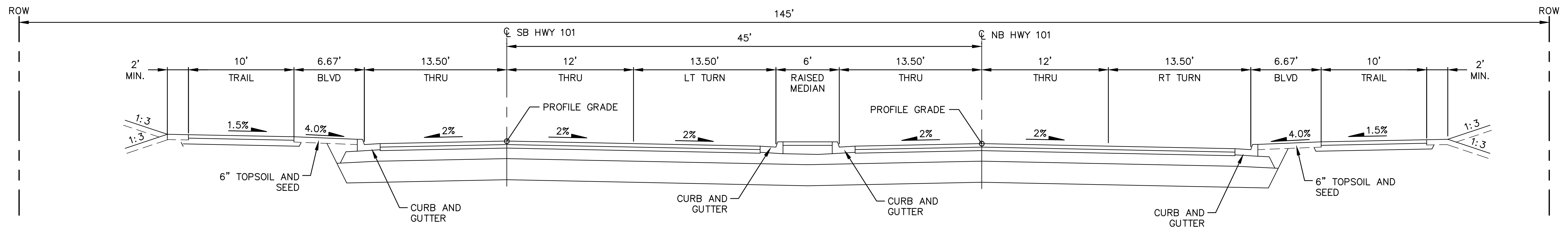


TYPICAL SECTION HWY 101
(SOUTH OF CREEKWOOD DR.)



TYPICAL SECTION HWY 101
(NORTH OF CREEKWOOD DR.)



TYPICAL SECTION HWY 101 WITH TURN LANES
(NORTH OF CREEKWOOD DR.)

HIGHWAY 101 IMPROVEMENTS
PIONEER TRAIL TO FLYING CLOUD DRIVE

PROPOSED TYPICAL SECTIONS
DECEMBER 2018

Kimley»Horn

